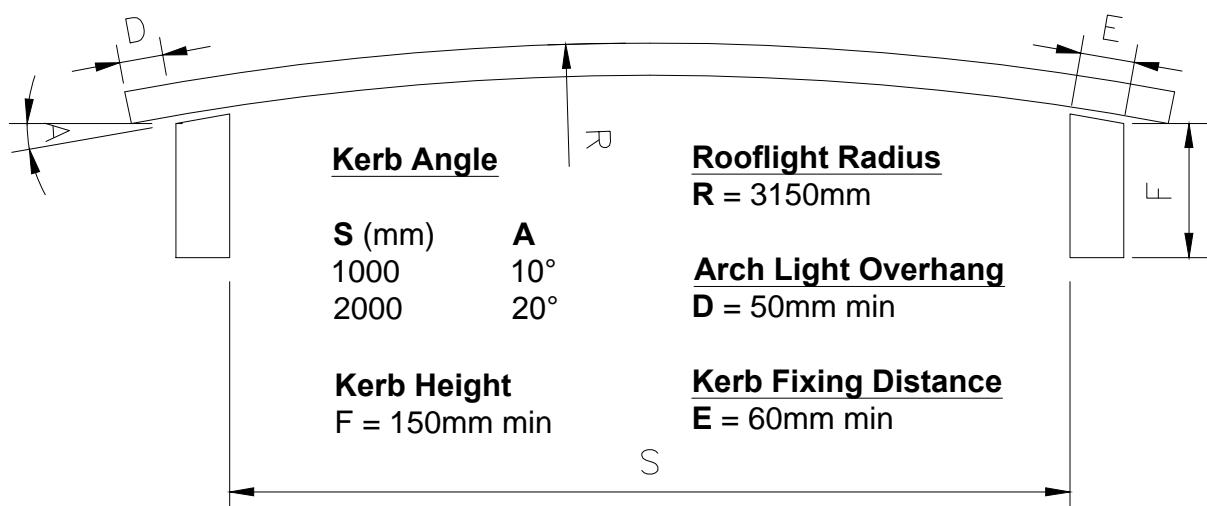
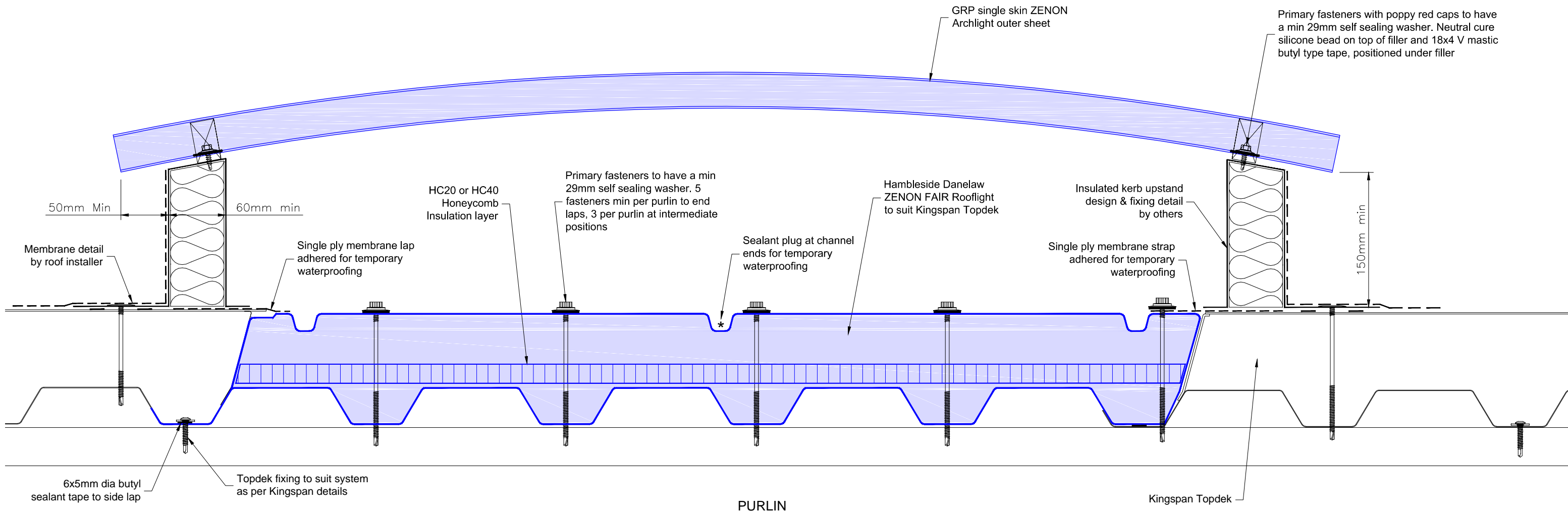



TYPICAL CROSS SECTION



| | | |
|----------------------|----------|-----------------------------|
| Kerb Angle | | Rooflight Radius |
| S (mm) | A | R = 3150mm |
| 1000 | 10° | Arch Light Overhang |
| 2000 | 20° | D = 50mm min |
| Kerb Height | | Kerb Fixing Distance |
| F = 150mm min | | E = 60mm min |

| | | |
|---|------------|----------|
| DRAWING TITLE | | |
| Rooflights to suit Kingspan Topdek Typical sections | | |
| PROJECT | | |
| NA | | |
| CLIENT | | |
| HDL | | |
| DRAWN | DATE | SHEET |
| SG | 16.04.2015 | 1 of 2 |
| SCALE | PAPER SIZE | REVISION |
| 1:4 | A3 | B |
| DRAWING NO | | |
| RT-KSTD | | |
| Hambleside Danelaw Ltd | | |
| T 01327 701900 | | |
| F 01327 701909 | | |
| www.hambleside-danelaw.co.uk | | |
| - All dimensions are in millimetres unless otherwise stated | | |
| - All dimensions to be checked on site | | |
| - Do not scale | | |
| ©Hambleside Danelaw Ltd, own the copyright of this document which is supplied in confidence, this document must not be used for any other purpose other than that it is supplied for. | | |
|  ZENON LOW CARBON DAYLIGHT SOLUTIONS | | |