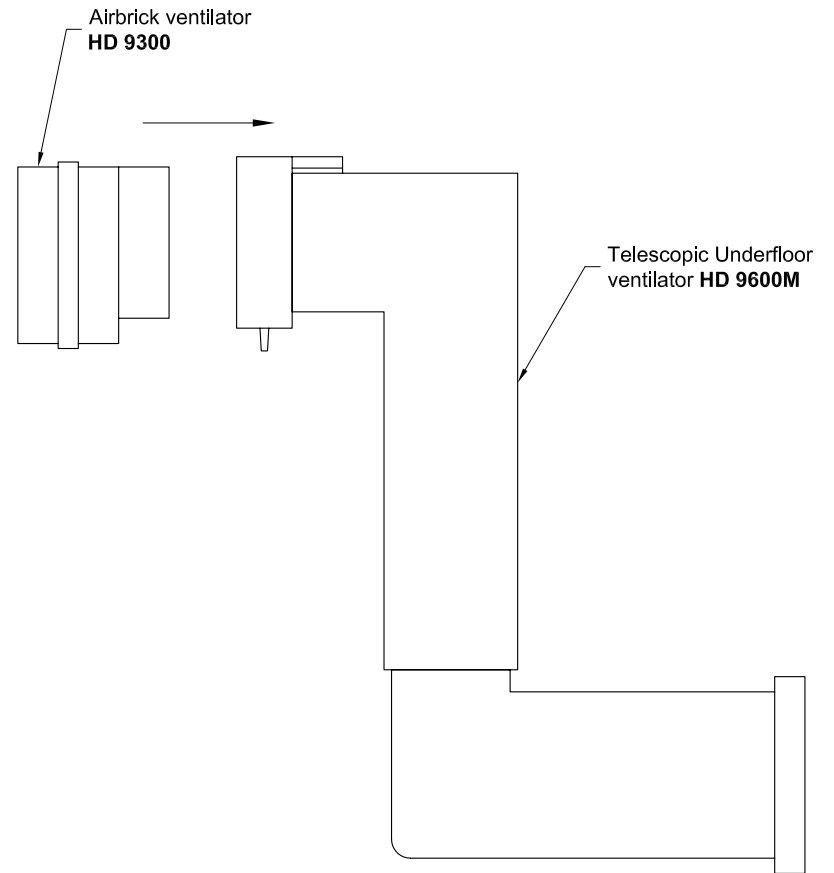
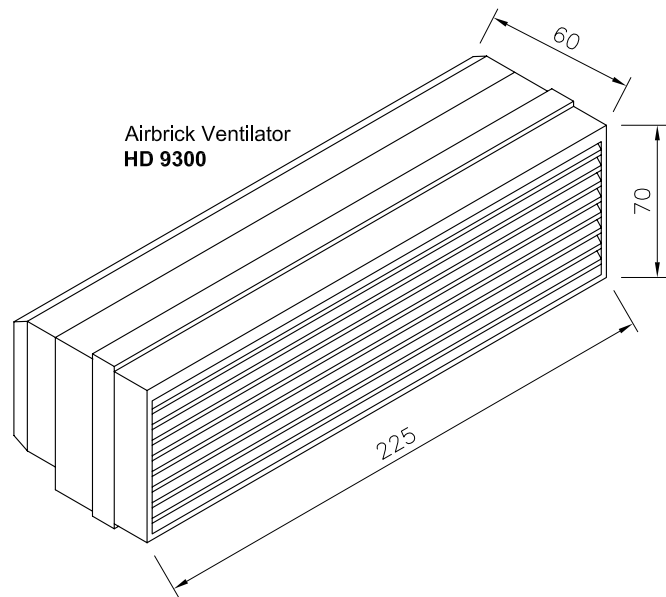


HD 9300

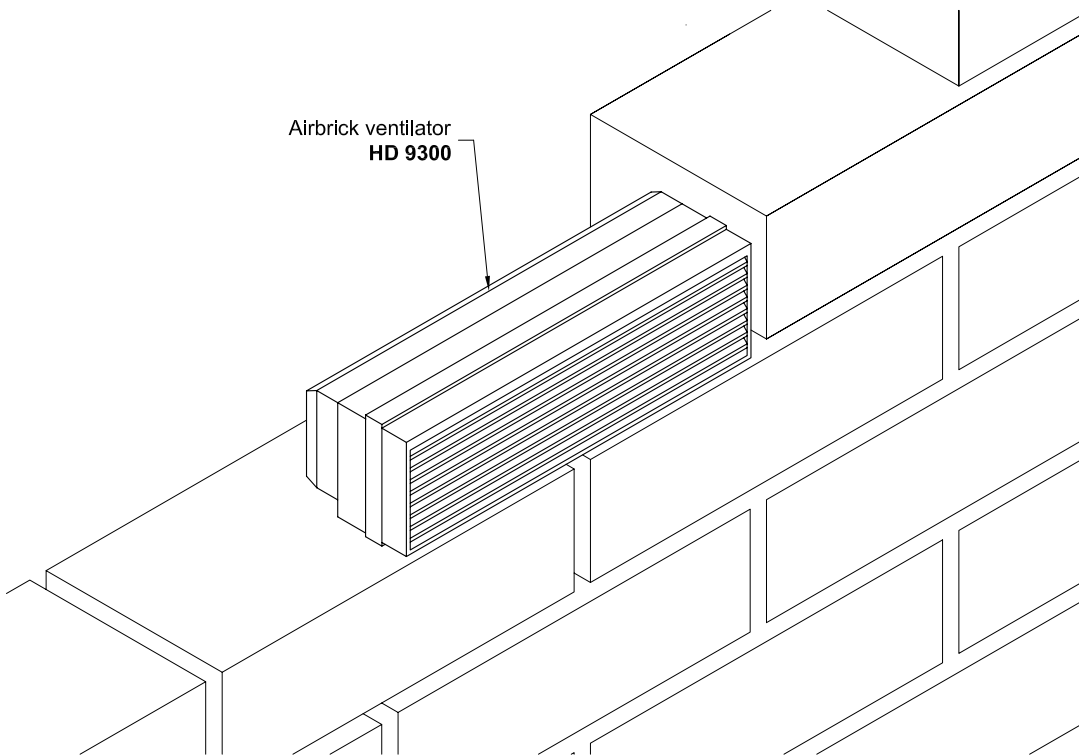
Single brick ventilator with vertical interlock facility. Made from polypropylene in terracotta, buff, black and brown. These airbricks can be interlocked together for double and triple applications.

Airflow area 7,000mm²

CLIENT	
PROJECT	
SCALE 1:5 @ A4	DATE 03.05.2013
DRAWING TITLE Airbrick Ventilator Typical Installation	
DRAWING NUMBER HD 9300-2	
Hambleside Danelaw Ltd	
T 01327 701900	
F 01327 701909	
W www.hambleside-danelaw.co.uk	
A Long March, Daventry, NN11 4NR	




Airbrick ventilator
HD 9300

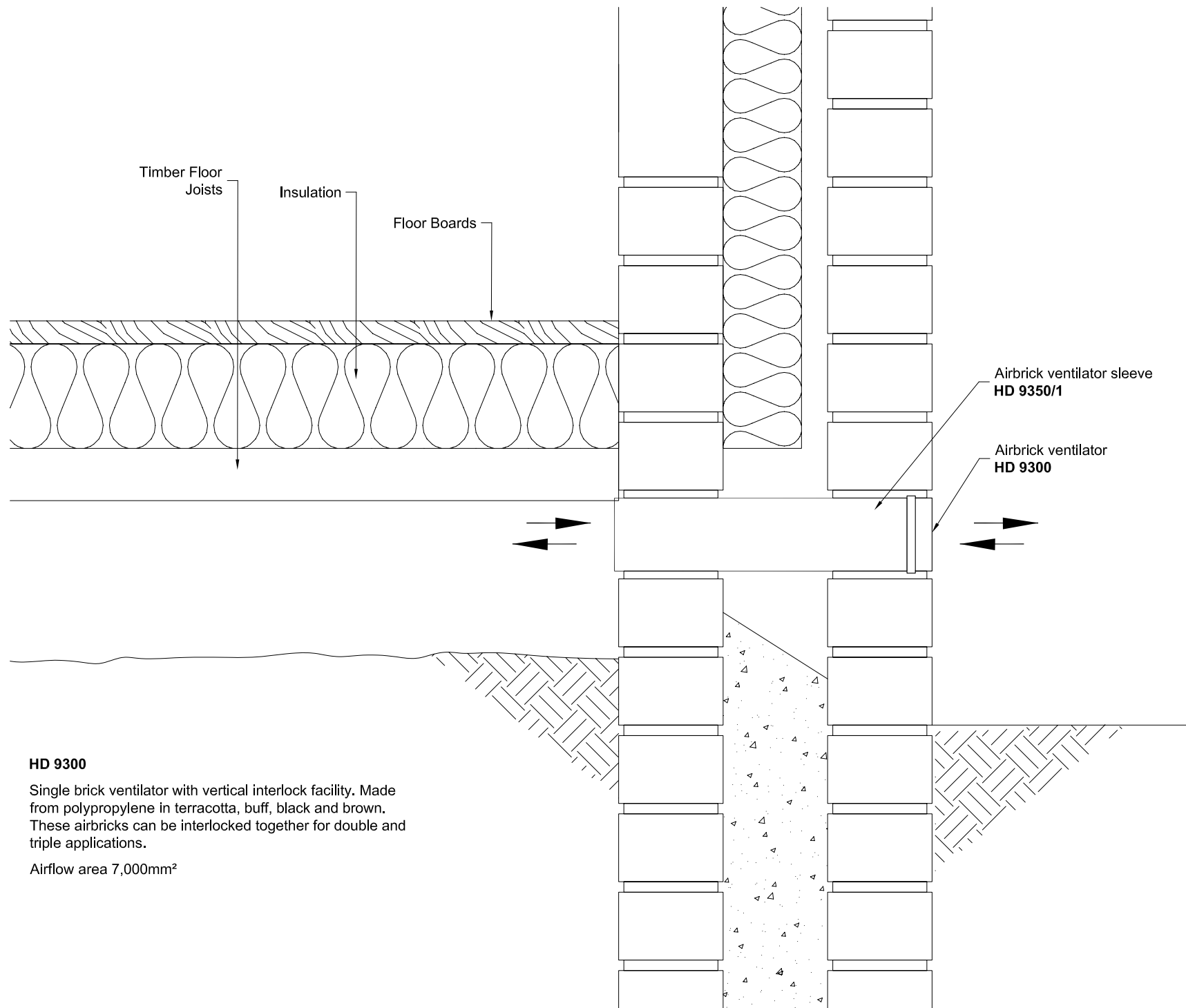


HD 9300

Single brick ventilator with vertical interlock facility. Made from polypropylene in terracotta, buff, black and brown. These airbricks can be interlocked together for double and triple applications.

Airflow area 7,000mm²

CLIENT	
PROJECT	
SCALE 1:3 @ A4	DATE 16.07.2013
DRAWING TITLE Airbrick Ventilator	
DRAWING NUMBER HD 9300-1	
Hambleside Danelaw Ltd	
T 01327 701900	
F 01327 701909	
W www.hambleside-danelaw.co.uk	
A Long March, Daventry, NN11 4NR	



Timber Floor Joists

Insulation

Floor Boards

Airbrick ventilator sleeve
HD 9350/1

Airbrick ventilator
HD 9300

HD 9300

Single brick ventilator with vertical interlock facility. Made from polypropylene in terracotta, buff, black and brown. These airbricks can be interlocked together for double and triple applications.

Airflow area 7,000mm²

CLIENT	
PROJECT	
SCALE 1:5 @ A4	DATE 16.07.2013
DRAWING TITLE Airbrick Ventilator Typical Installation	
DRAWING NUMBER HD 9300-2	
Hambleside Danelaw Ltd	
T	01327 701900
F	01327 701909
W	www.hambleside-danelaw.co.uk
A	Long March, Daventry, NN11 4NR